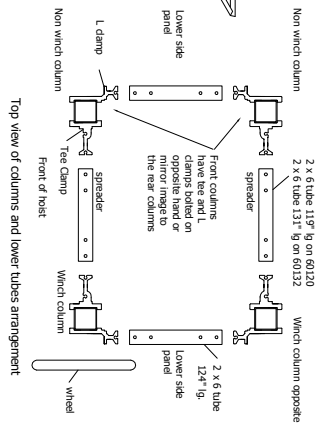
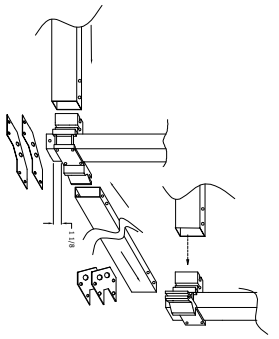


**AN ASSEMBLY VIDEO FOR THIS HOIST IS AVAILABLE ONLINE AT:  
WWW.YOUTUBE.COM/CRAFTLANDER**



Rev	Date	Description	Int
<b>402 Southline Rd. Metal Products Roscommon, MI 48653</b>			
Scale: None		Approved by: <b>RG</b>	
Date: 3/19/13		Drawn by: <b>RG</b>	
Assembly and part locations for MH-V60120 & MH-V60132			Drawing Number A-MH-V60R-20