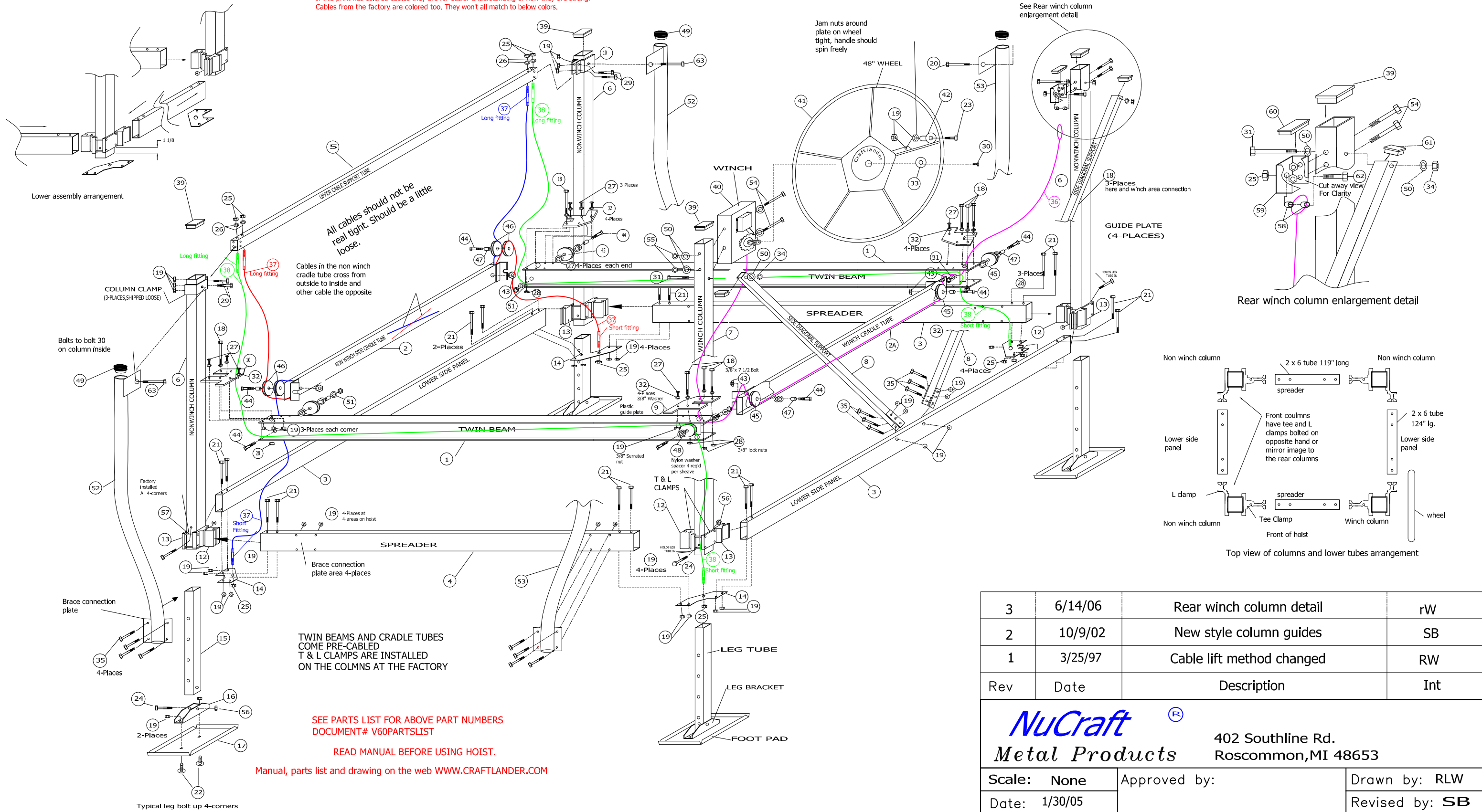


Note bolt thread area should be on outside of hoist

If this print has colored cables they are for easier understanding of how they are strung.
Cables from the factory are colored too. They won't all match to below colors.



All cables should not be real tight. Should be a little loose.

Cables in the non winch cradle tube cross from outside to inside and other cable the opposite

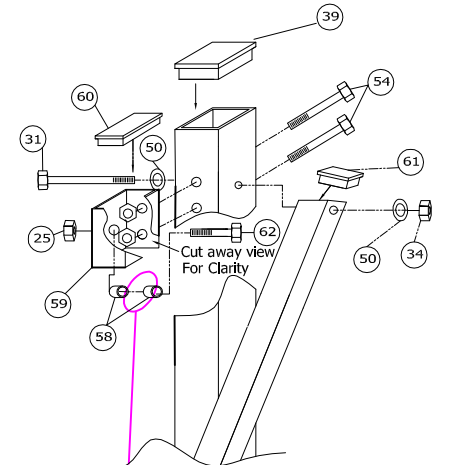
TWIN BEAMS AND CRADLE TUBES COME PRE-CABLED T & L CLAMPS ARE INSTALLED ON THE COLUMNS AT THE FACTORY

SEE PARTS LIST FOR ABOVE PART NUMBERS DOCUMENT# V60PARTSLIST

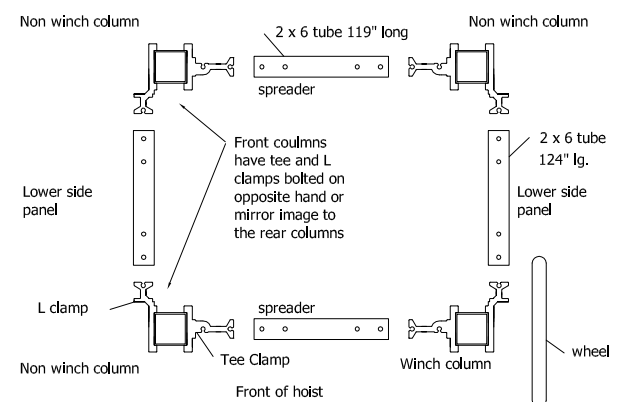
READ MANUAL BEFORE USING HOIST.

Manual, parts list and drawing on the web WWW.CRAFTLANDER.COM

Please Note that cable lifting method before 1997 was different than above. Please contact dealer for correct cables and parts.



Rear winch column enlargement detail



Top view of columns and lower tubes arrangement

3	6/14/06	Rear winch column detail	rW
2	10/9/02	New style column guides	SB
1	3/25/97	Cable lift method changed	RW
Rev	Date	Description	Int

NuCraft Metal Products
402 Southline Rd.
Roscommon, MI 48653

Scale: None Approved by: Drawn by: RLW
Date: 1/30/05 Revised by: SB

Assembly & Part locations for V60120

CRAFTLANDER Drawing Number V60assembly