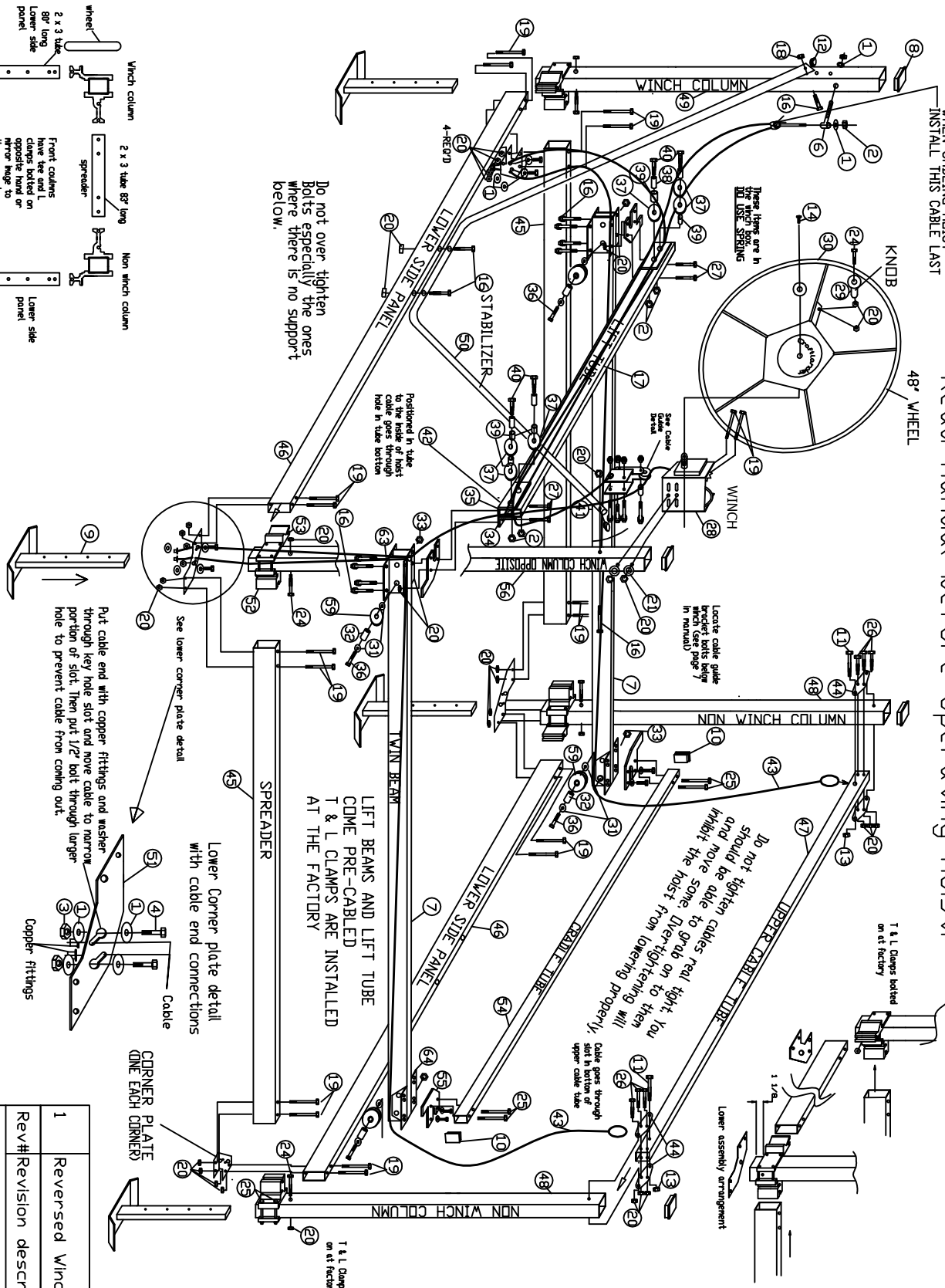


WHEN CABLING HOIST
INSTALL THIS CABLE LAST

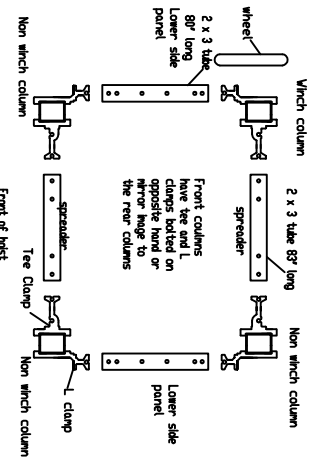
Read manual before operating hoist.

48" WHEEL

- Tools Required for assembly:
 Combination wrenches,
 1/2"/9/16", 5/8"/11/16", 3/4"
 sockets,
 Ratchet,
 1/2"/9/16" and 3/4" Deep Well
 Ball Pein Hammer
 Vise Grips or adjustable pliers
 Regular screwdriver
 Phillips screwdriver
 Utility knife



Top view of columns and lower tubes arrangement



Assembly tips:
 Find a level spot to assemble this hoist.
 After assembling the frame (columns, side panels, and spreaders), place a 4 x 4 diagonally across the lower side panel and the spreader (at each corner). This makes assembling the lift cradle a lot easier. (Grade assembly: twin beams, lift tube and cradle tube.)

Read manual and safety stickers on hoist before using.
 Check us out on the web at www.craftlander.com
 This drawing is the property of NuCraft Metal Products. No part of this drawing may be reproduced without proper authorization.

1	Reversed Winch Side	8/12/08	RLW
Rev#	Revision description	Date	BY
<p>NuCraft RSCCOMMON MI 48653</p> <p>CRAFTLANDER</p>			
<p>Title: Assembly & Part locations for MH-V1684</p>			
DRAWING NO. MH-V1684		SCALE	DATE 2/28/07
			DRAWN BY RLW